

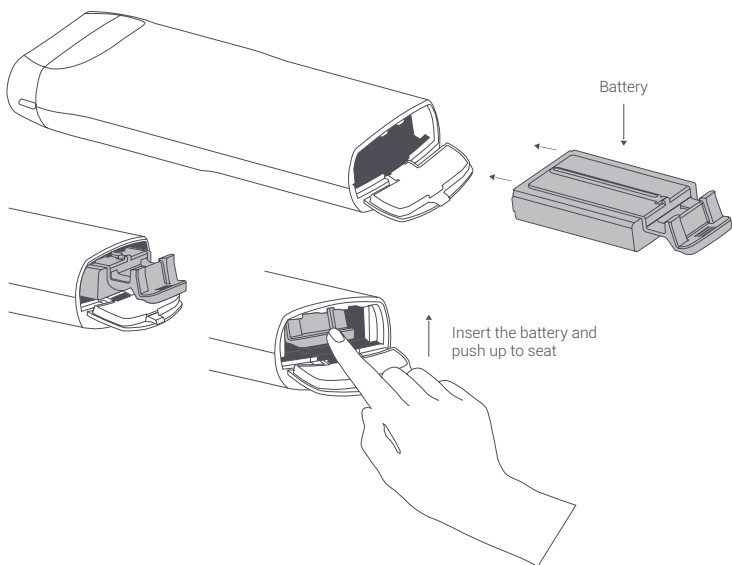
biim

Quick Start Guide

Congratulations on your purchase of the Biim Ultrasound system. Your box should include the Biim Probe and the Biim battery and charger. This Quick Start Guide will help you start your Biim Experience. Please refer to the Biim User Guide for complete instructions of the Biim Ultrasound System.

1. Insert a charged Biim battery into the Biim Probe.

- You may need to charge the battery prior to use. Refer to the Biim User Guide for more details. Insert the battery and push up to seat.



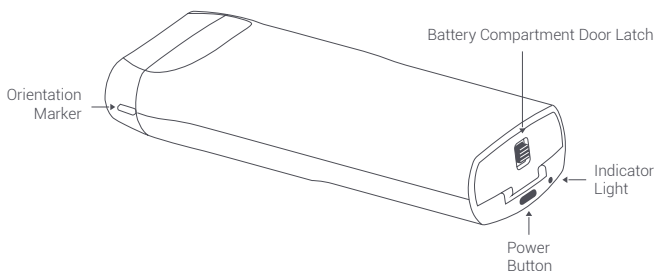
Please refer to the Biim User Guide for complete instructions, warnings, and indications for use, for the Biim Probe and Biim Ultrasound App. Users should read the Biim User Guide for important safety and warranty information. Violations of User Guide instructions may result in the warranty being void. For more information go to www.biimultrasound.com, or press the "Help" button in the Biim Ultrasound App to access the Biim User Guide.

2. Download the Biim Ultrasound App from App Store or Google Play on to your smart device.

- The Biim Ultrasound App is compatible with select iOS and Android tablets and phones.
- Please refer to the App Store or Google Play for instructions on how to download an app.

3. Turn on the Biim Probe.

- Press and hold the Power Button for two seconds.



4. Connect your Biim Probe with your smart device.

- a) Open the device's settings and ensure that your device's Wi-Fi is turned on and select the Biim Probe from Wi-Fi options. The default password is "biimeasy".

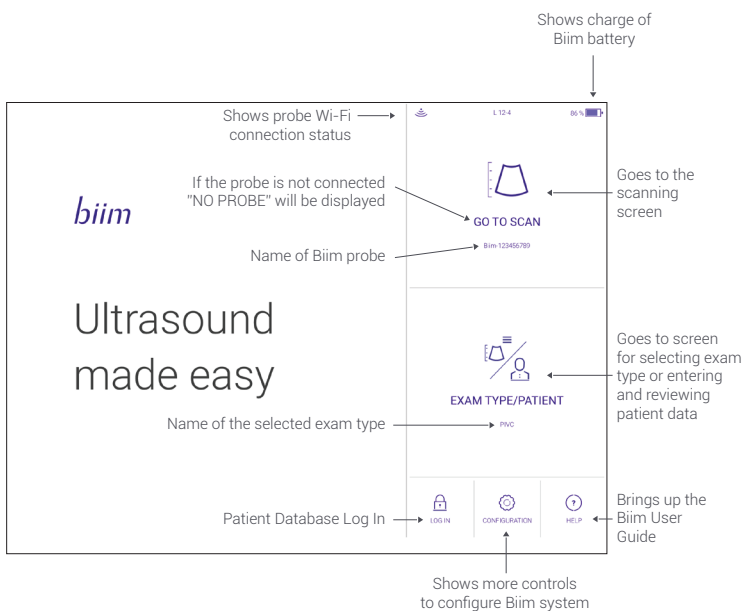
On the first connection with your device your Biim Probe will appear as "Biim - Probe Serial Number". Your Probe Serial Number is on the Biim box and inside the battery door.

Look for the symbol: SN

- b) Exit the settings on your device before opening the Biim App.
- c) Open the Biim App and follow the instructions of the Biim Startup Wizard.

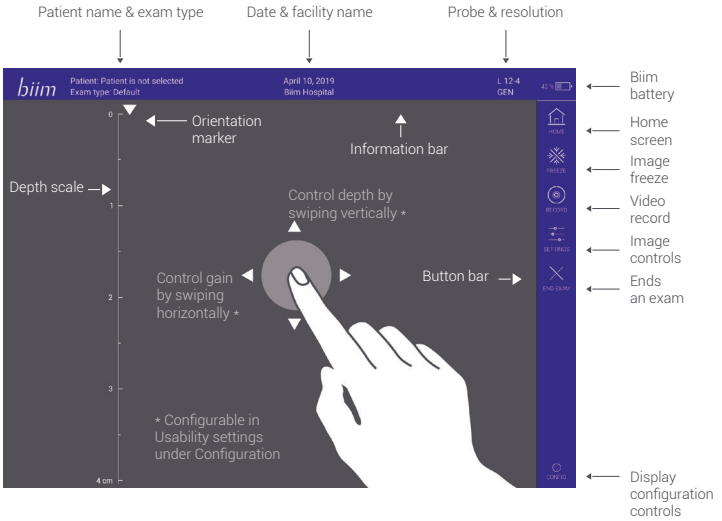
5. Meet your new Biim Ultrasound System.

When you first open your Biim App the Home screen will appear as shown below.

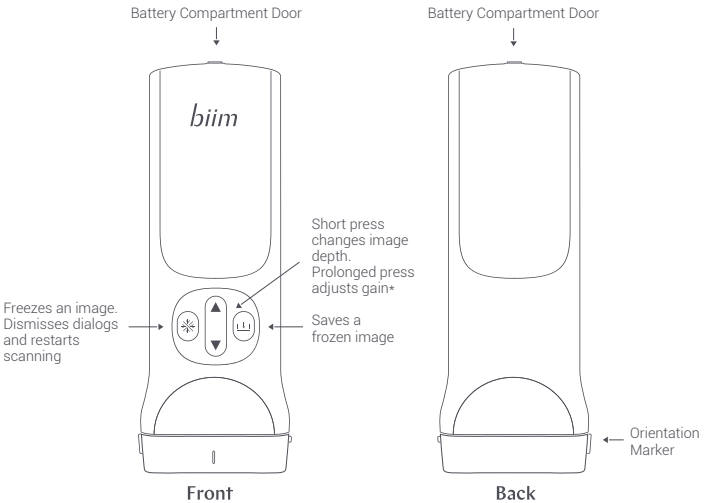


Please refer to the Biim User Guide for complete instructions, warnings, and indications for use, for the Biim Probe and Biim Ultrasound App. Users should read the Biim User Guide for important safety and warranty information. Violations of User Guide instructions may result in the warranty being void. For more information go to www.biimultrasound.com, or press the "Help" button in the Biim Ultrasound App to access the Biim User Guide.

6. Discover the Biim Scanning Screen.



7. Get to know your Biim Probe



* Configurable in Usability settings under Configuration

Ultrasound made easy

biimultrasound.com

support@biimultrasound.com



Biim Ultrasound AS
Frydenlundsgate 9
8516 Narvik
Norway



Australian Sponsor
Emergo Australia
Level 20, Tower II
Darling Park
201 Sussex Street
Sydney, NSW 2000
Australia

P001091-06C Quick Start Guide, Biim L12-4 Probe